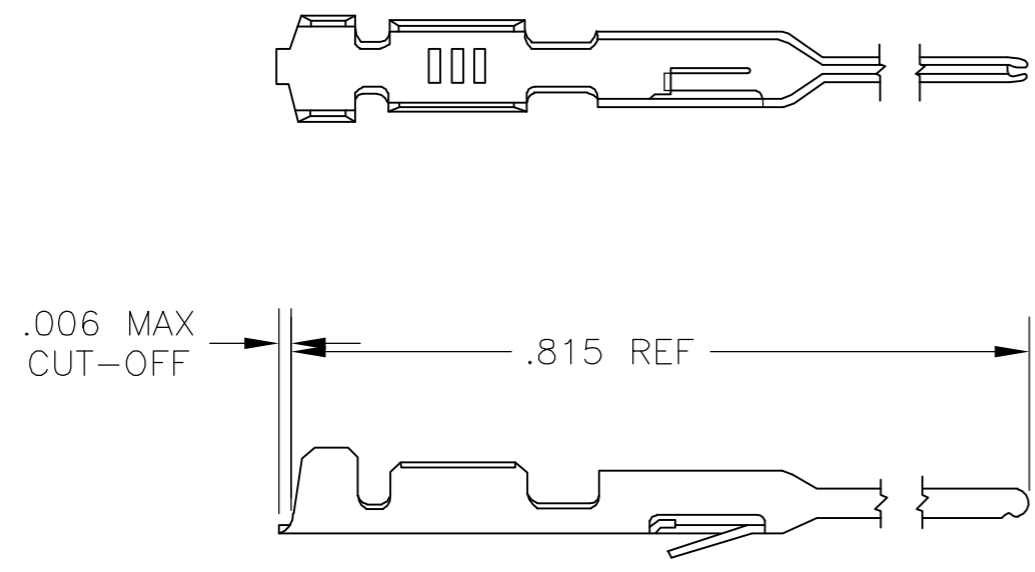


THIS DRAWING IS UNPUBLISHED. RELEASED FOR PUBLICATION  
 © COPYRIGHT BY TYCO ELECTRONICS CORPORATION. ALL RIGHTS RESERVED.

LOC	DIST	REVISIONS			
P	LTR	DESCRIPTION	DATE	DWN	APVD
AD	00	B	ECO-05-007262	09JAN06	BSV MM



1. LOOSE PIECE CONTACTS MUST MEET ALL APPLICABLE STRIP SPECIFICATIONS IN ADDITION TO THOSE SHOWN

- △2 GOLD FLASH OVER .000050 NICKEL ENTIRE CONTACT, .000015 GOLD ON CONTACT AREA
- △3 GOLD FLASH OVER .000050 NICKEL ENTIRE CONTACT, .000030 GOLD ON CONTACT AREA
- △4 .000100-.000200 BRIGHT TIN OVER .000030 NICKEL
- △5 .000100-.000200 MATTE TIN OVER .000030 NICKEL

△5	5-102095-4	5-102107-3
△4	102095-4	102107-3
△3	102095-3	102107-2
△2	102095-2	102107-1
FINISH	STRIP PART NO	PART NO

THIS DRAWING IS A CONTROLLED DOCUMENT.		DWN	18 APR 79	 Tyco Electronics Corporation Harrisburg, Pa 17105-3608
DIMENSIONS: INCHES		CHK	24 APR 79	
TOLERANCES UNLESS OTHERWISE SPECIFIED:		APVD	26 APR 79	
0 PLC	± -	PRODUCT SPEC		NAME
1 PLC	± -	APPLICATION SPEC		
2 PLC	± -	WEIGHT		SIZE
3 PLC	± -	CUSTOMER DRAWING		CAGE CODE
4 PLC	± -	SCALE		DRAWING NO
ANGLES	± -	SHEET		RESTRICTED TO
FINISH	SEE TABLE	SCALE 4:1		1 OF 1
MATERIAL	PHOS BRONZE	SHEET 1 OF 1		REV B

102107